

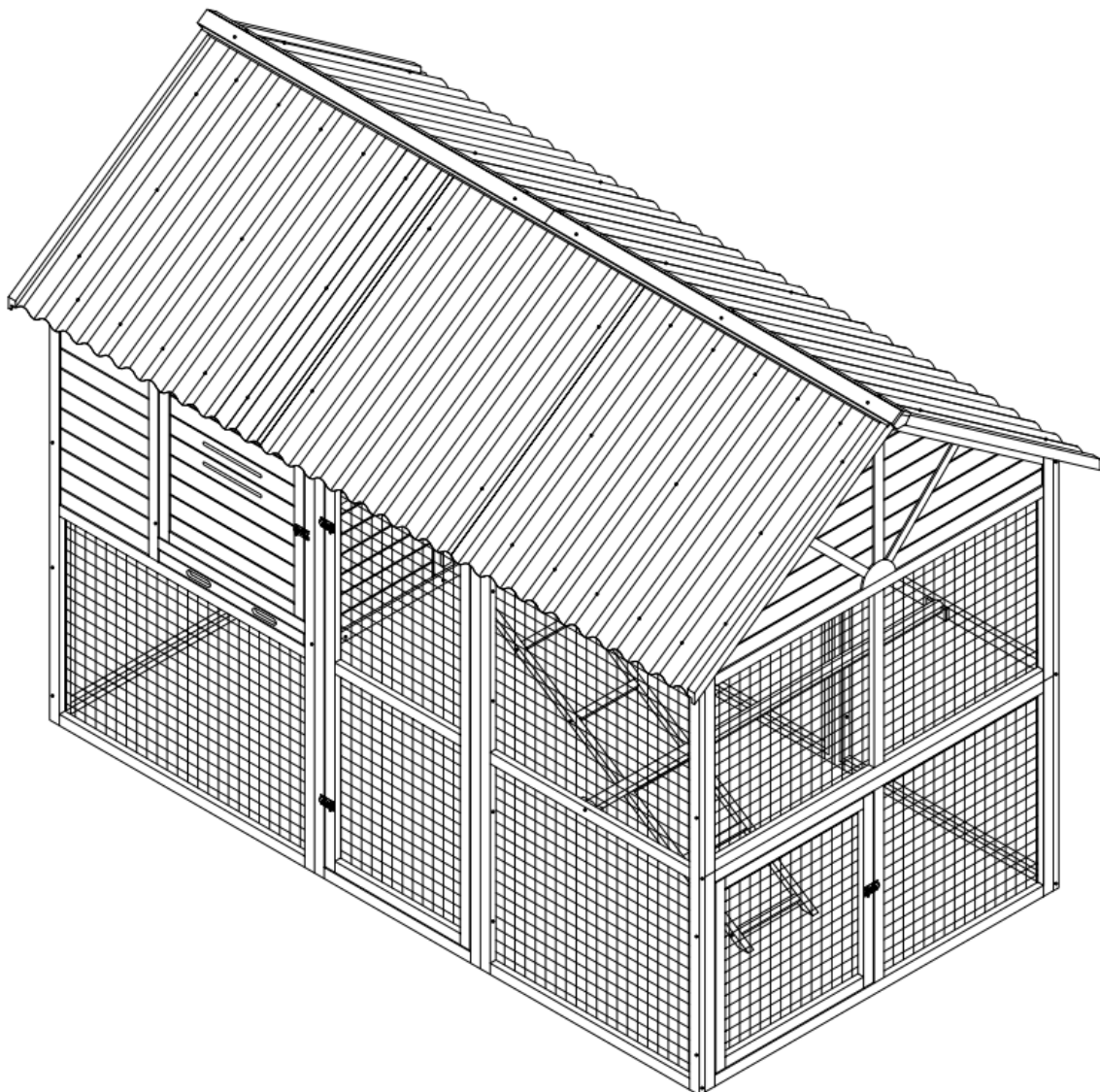






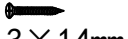
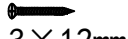

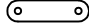

Model: KRC9-98

Walk-In Coop with Run

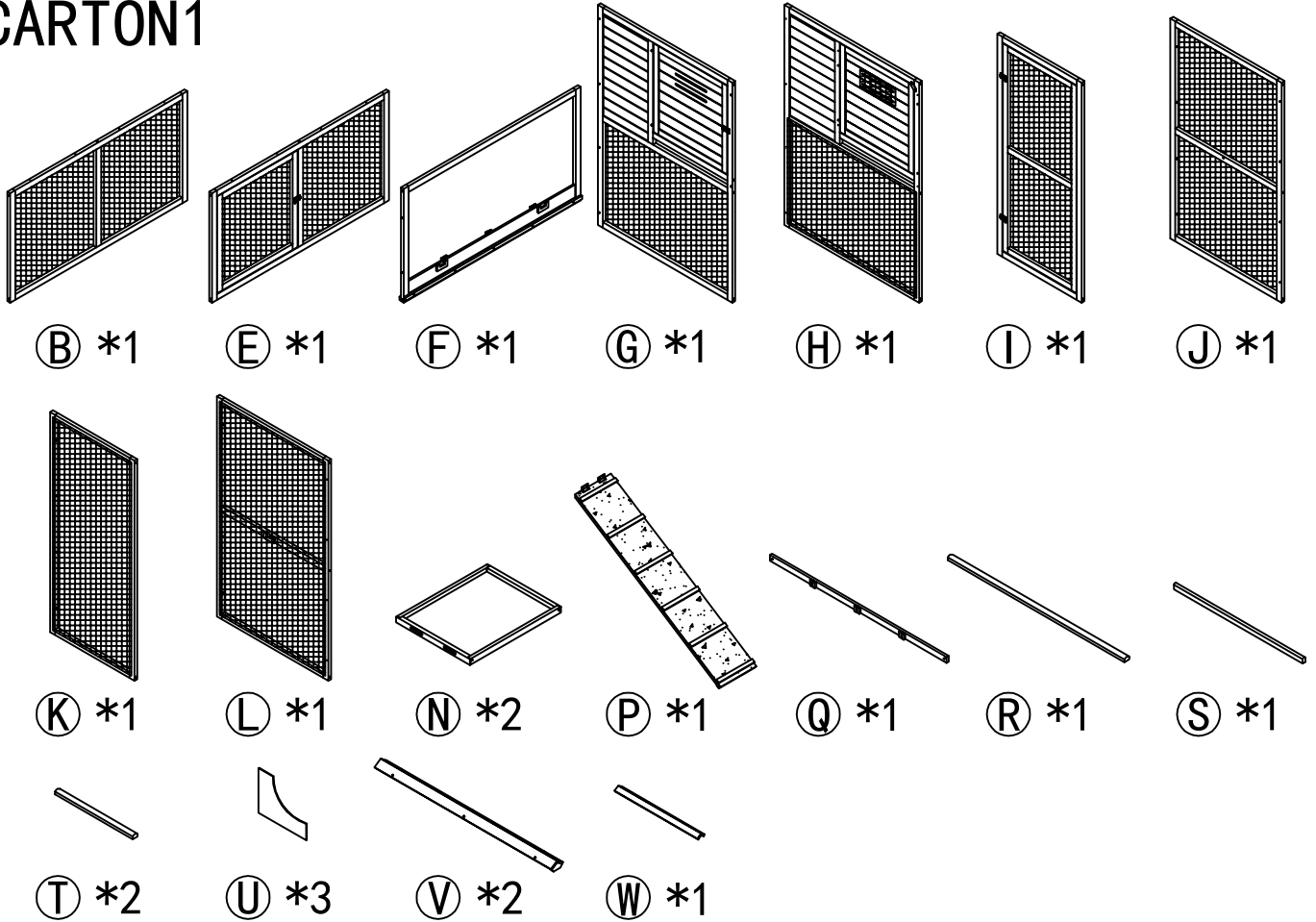
Gallinero con acceso para caminar y corral
Poulailler avec enclos et accès en hauteur

ASSEMBLY INSTRUCTION
INSTRUCCIONES DE MONTAJE
INSTRUCTIONS DE MONTAGE

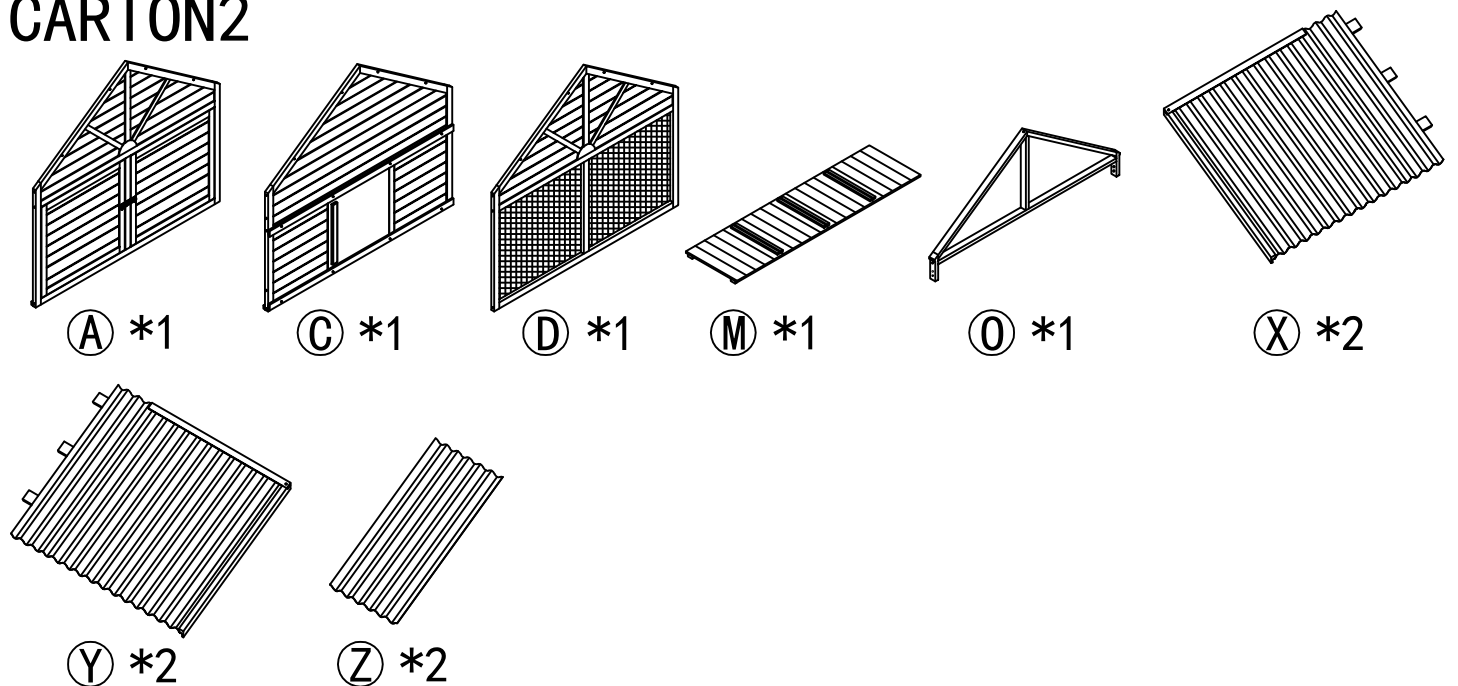


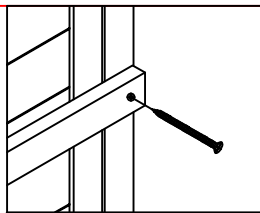
P1	 3.5×60mm	24pcs+1spare	P2	 3.5×40mm	26pcs+1spare
P3	 3.5×35mm	12pcs+1spare	P4	 3.5×25mm	14pcs+1spare
P5	 3×14mm	4pcs+1spare	P6	 3×12mm	12pcs+1spare
P7	 4.8×25mm	16pcs+1spare	P8	 60×12mm	6pcs
P9	 M8	1pc			

CARTON1

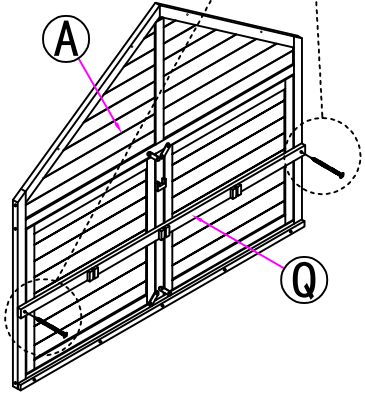


CARTON2

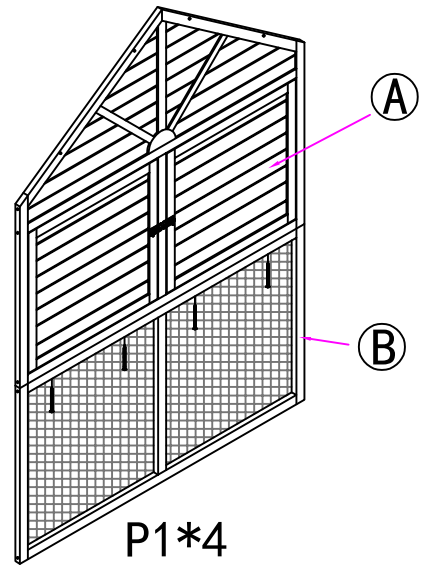




P4*2

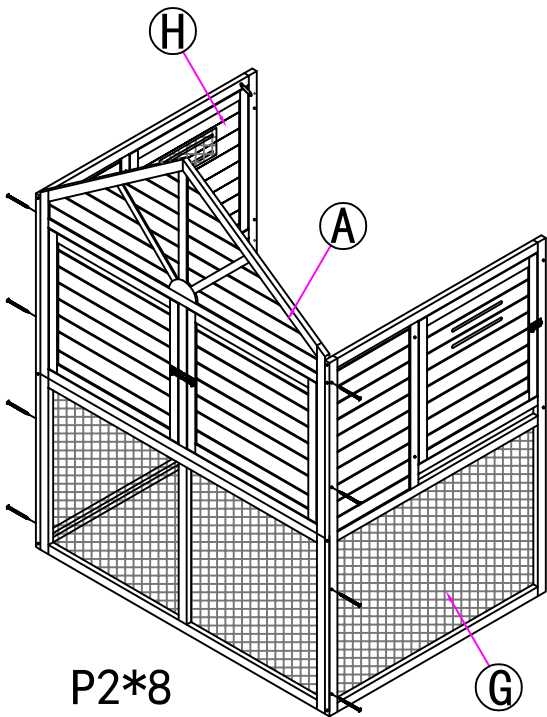


STEP1



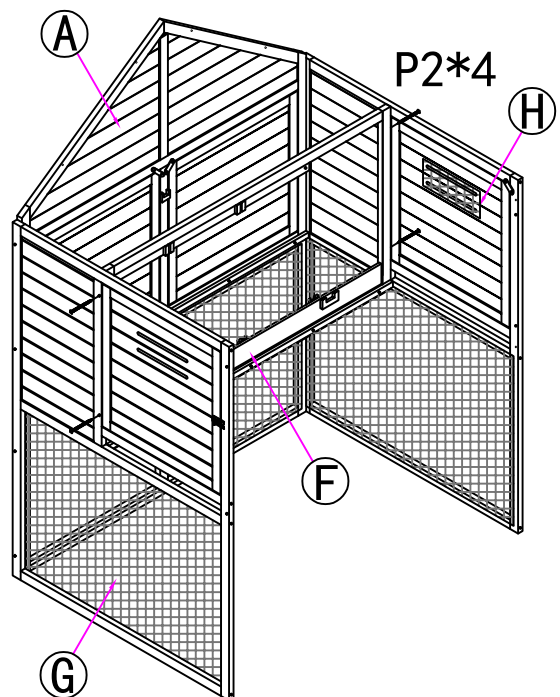
P1*4

STEP2



P2*8

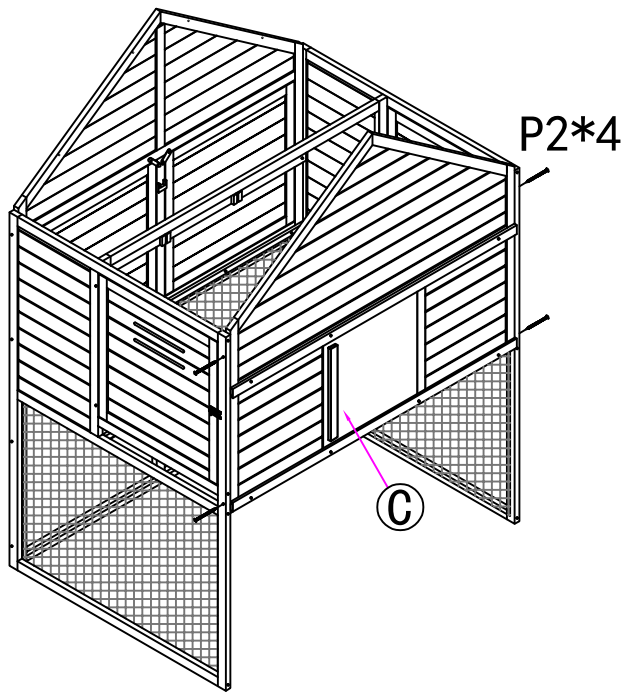
STEP3



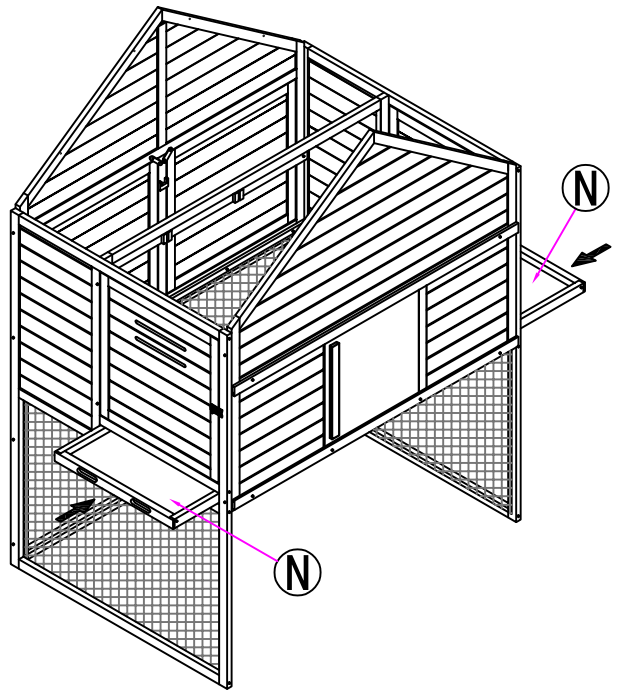
P2*4

G

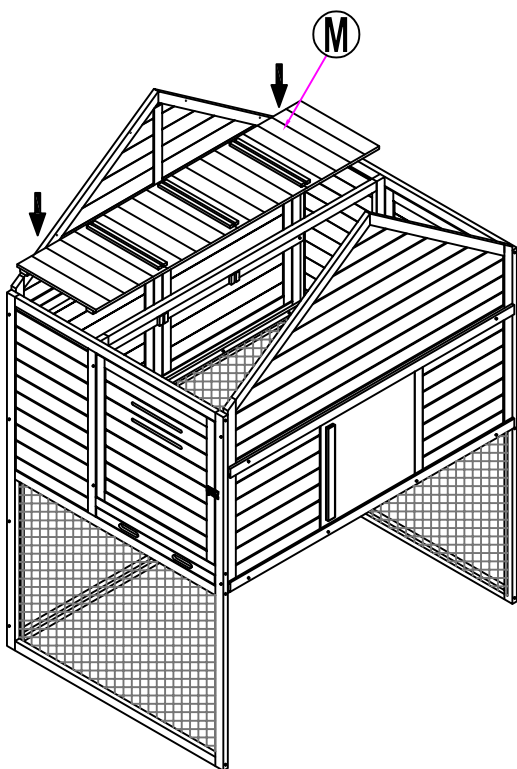
STEP4



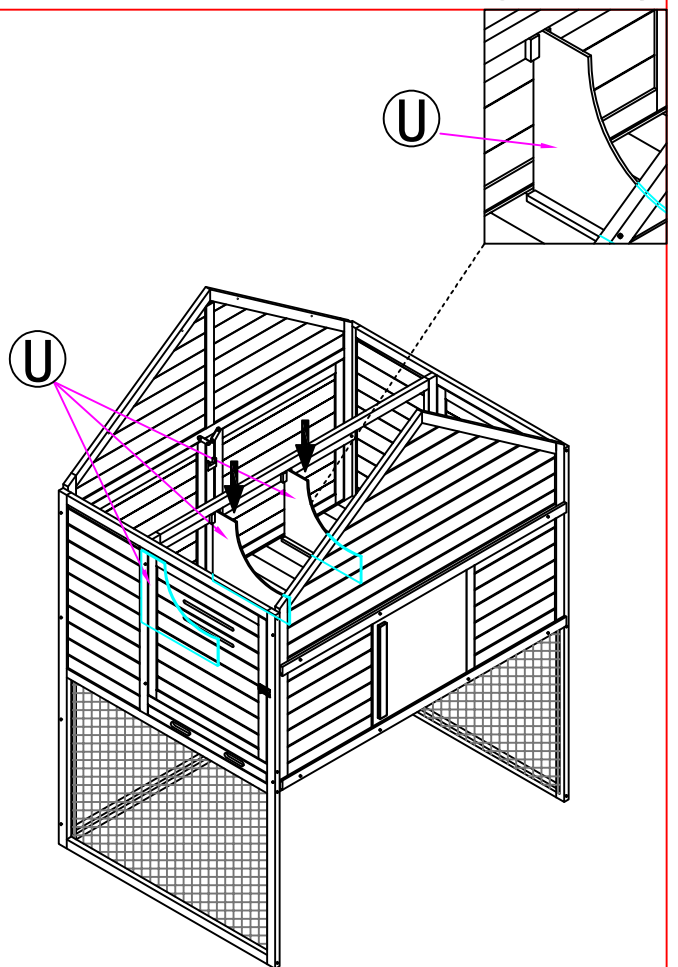
STEP5



STEP6



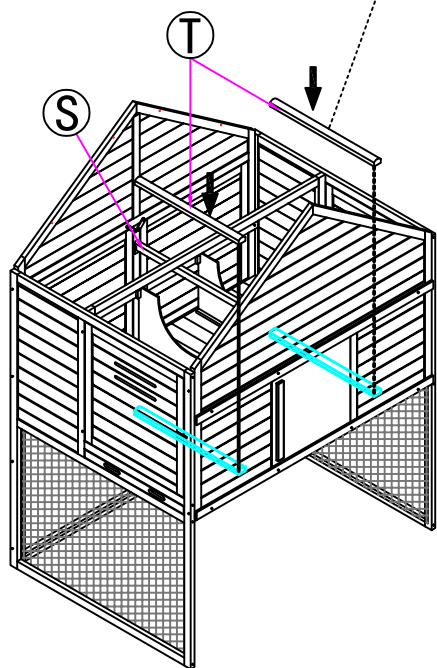
STEP7



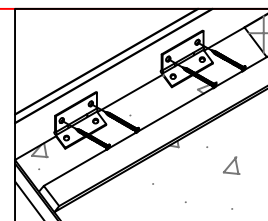
STEP8

Ⓢ : 548mm

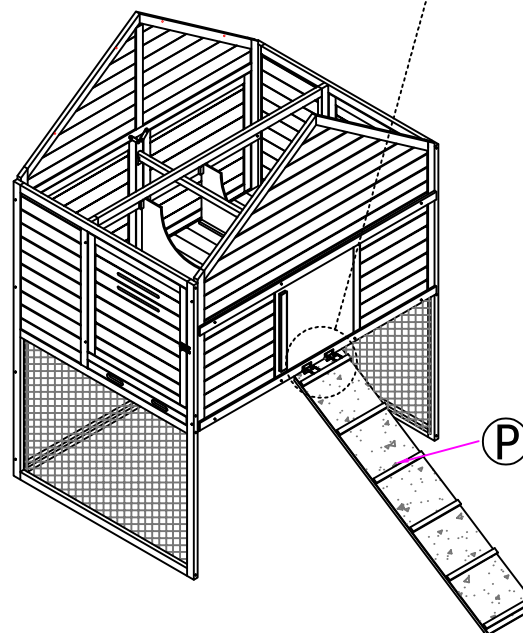
Ⓣ : 908mm



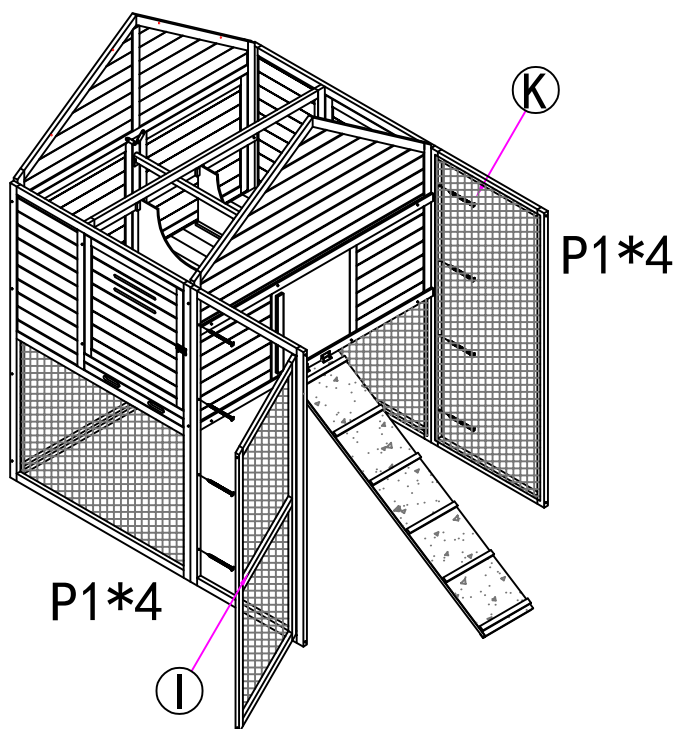
STEP9



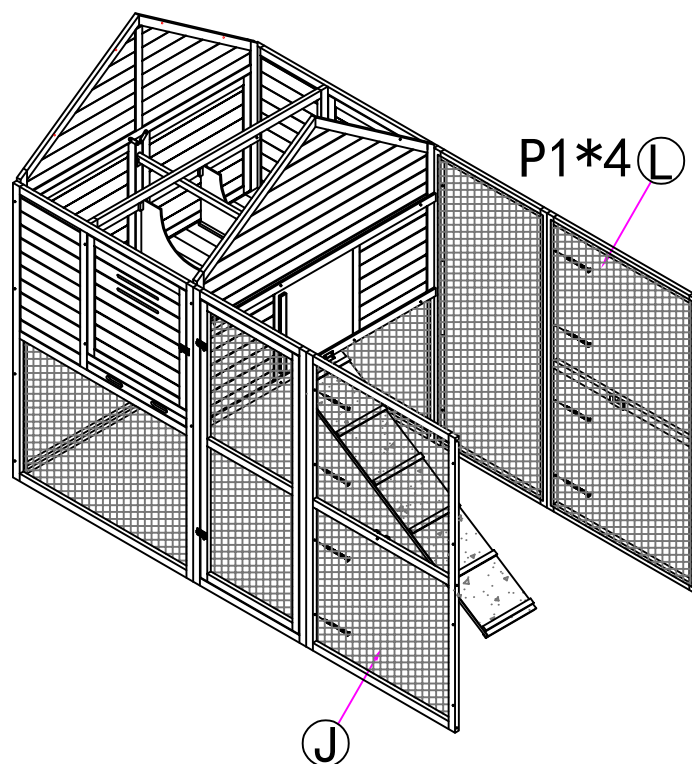
P5*4



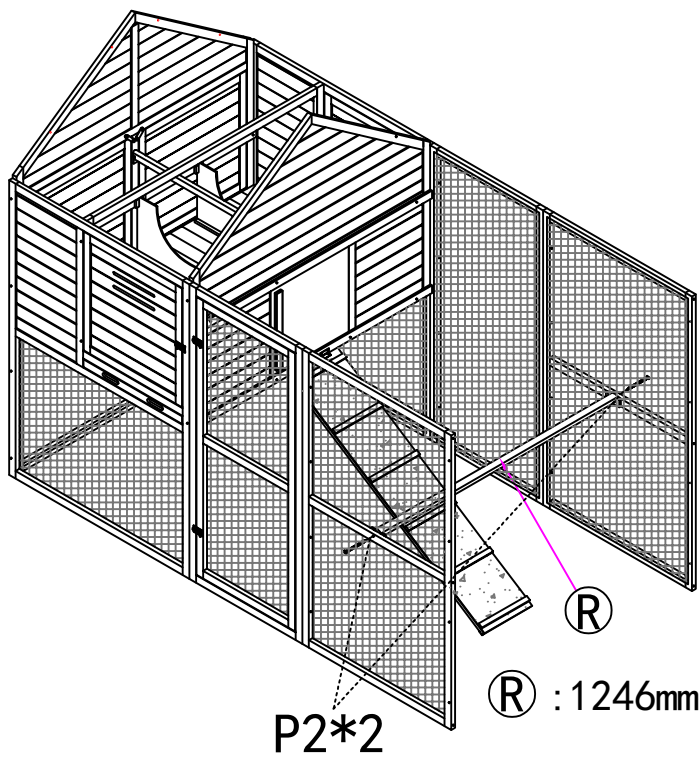
STEP10



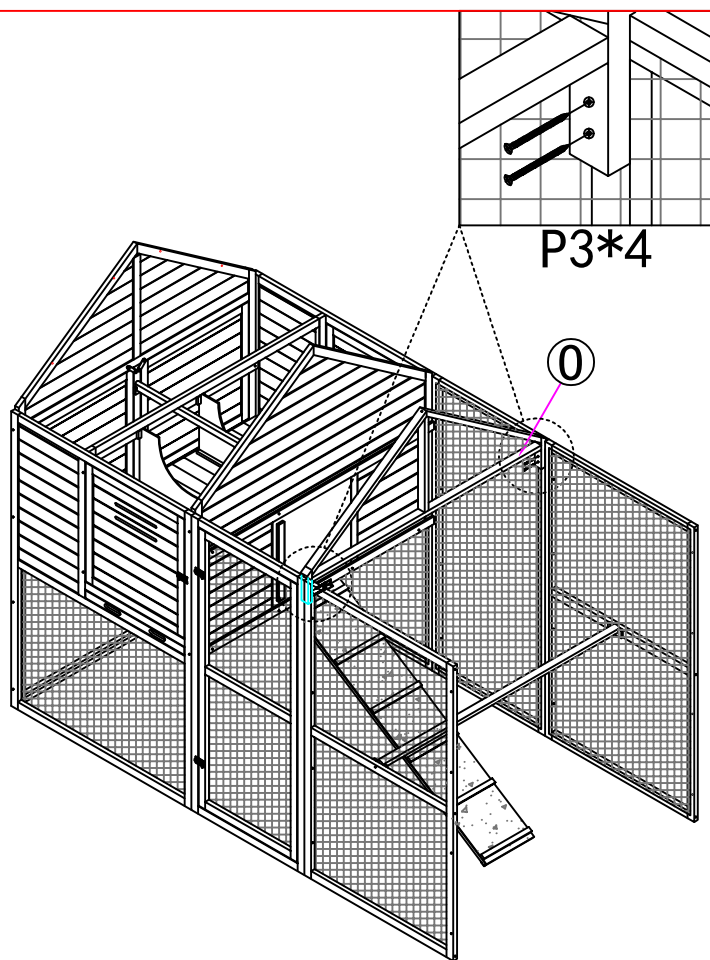
STEP11



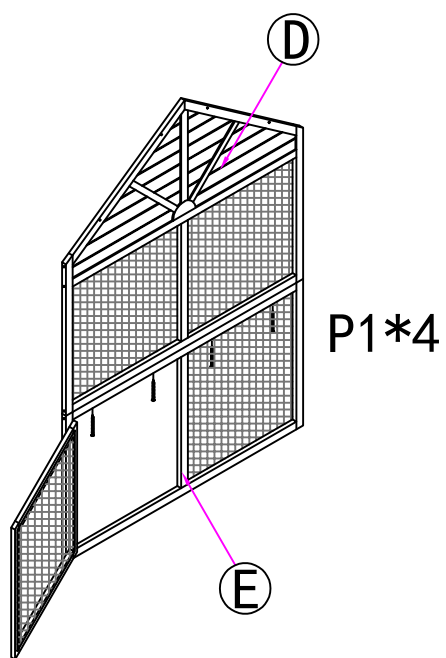
STEP12



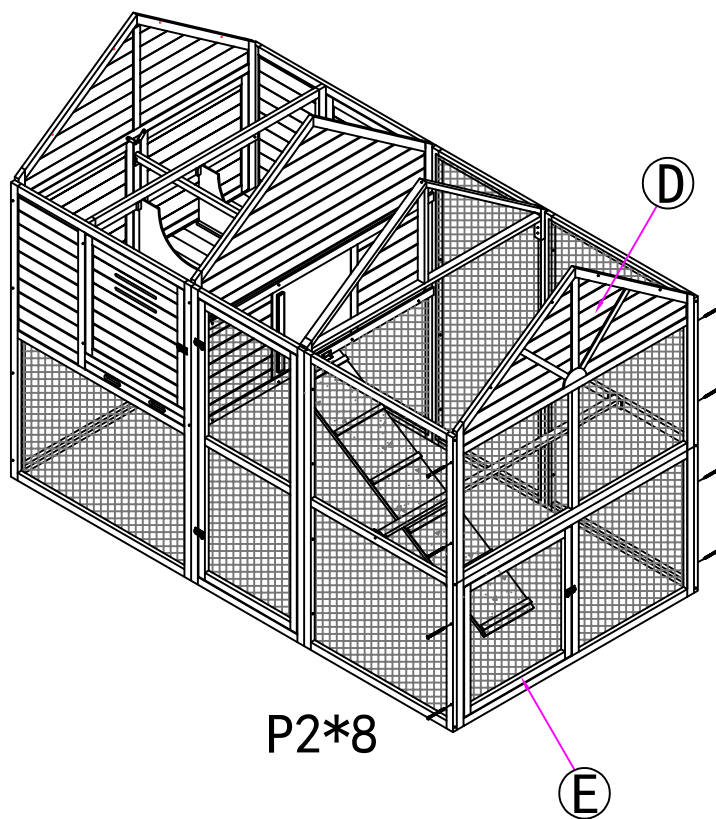
STEP13



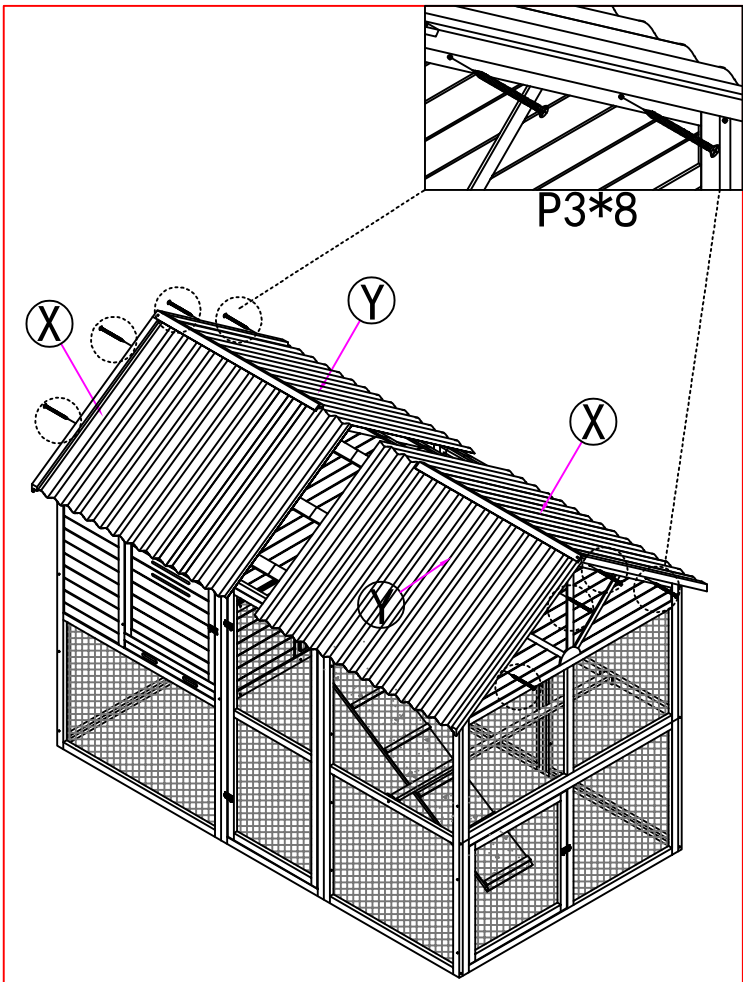
STEP14



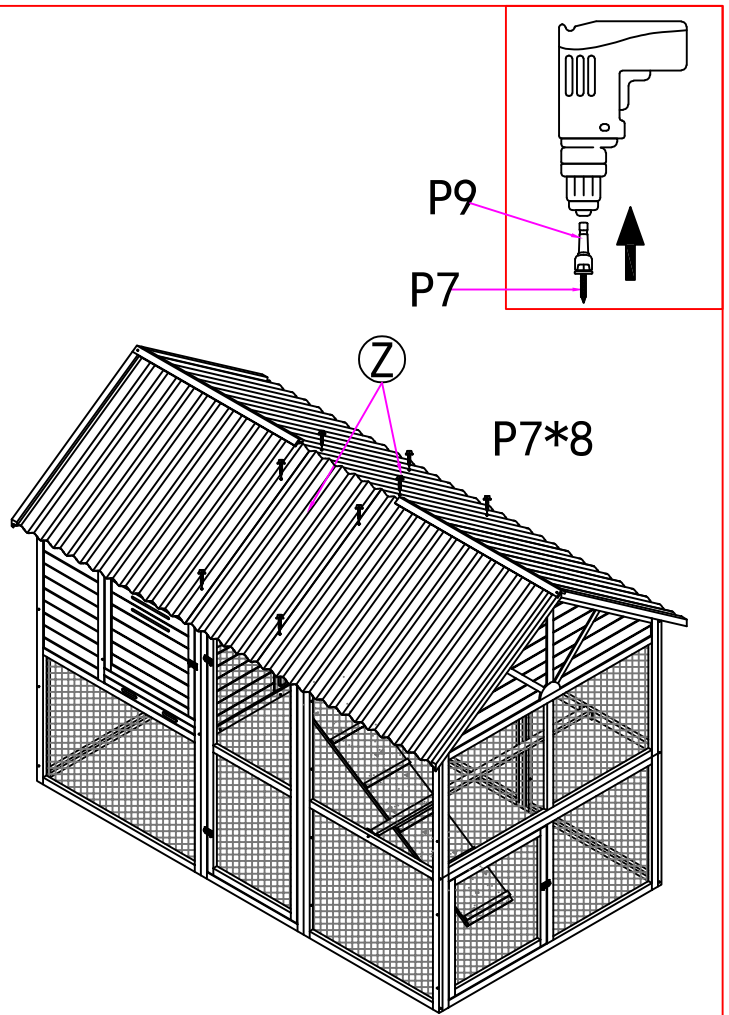
STEP15



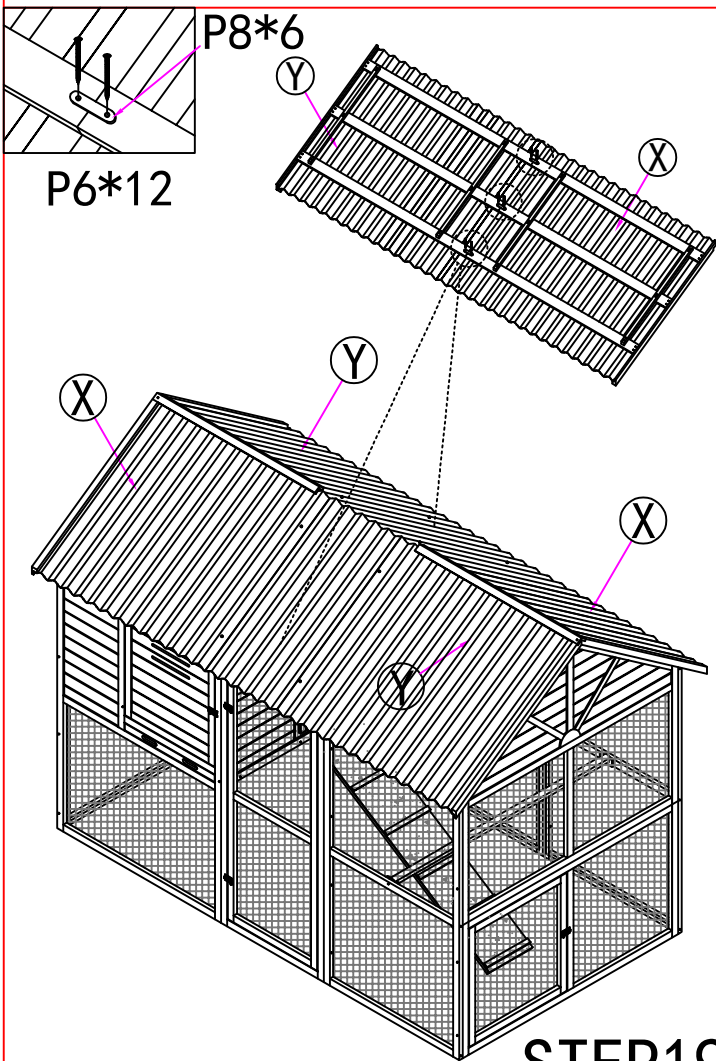
STEP16



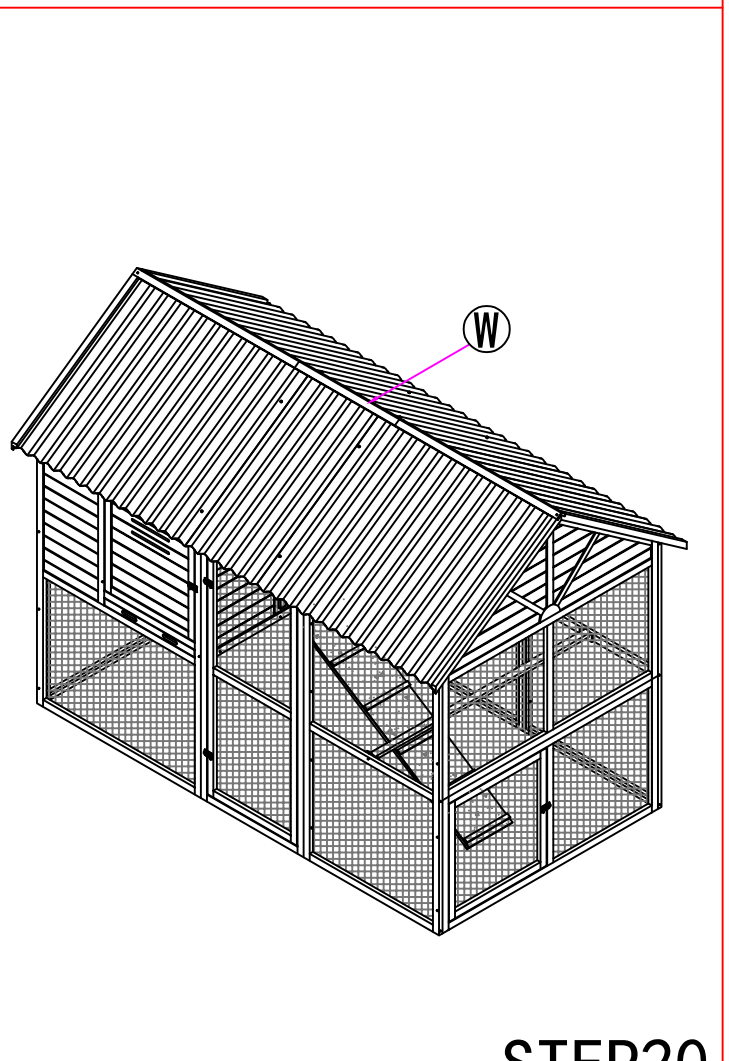
STEP17



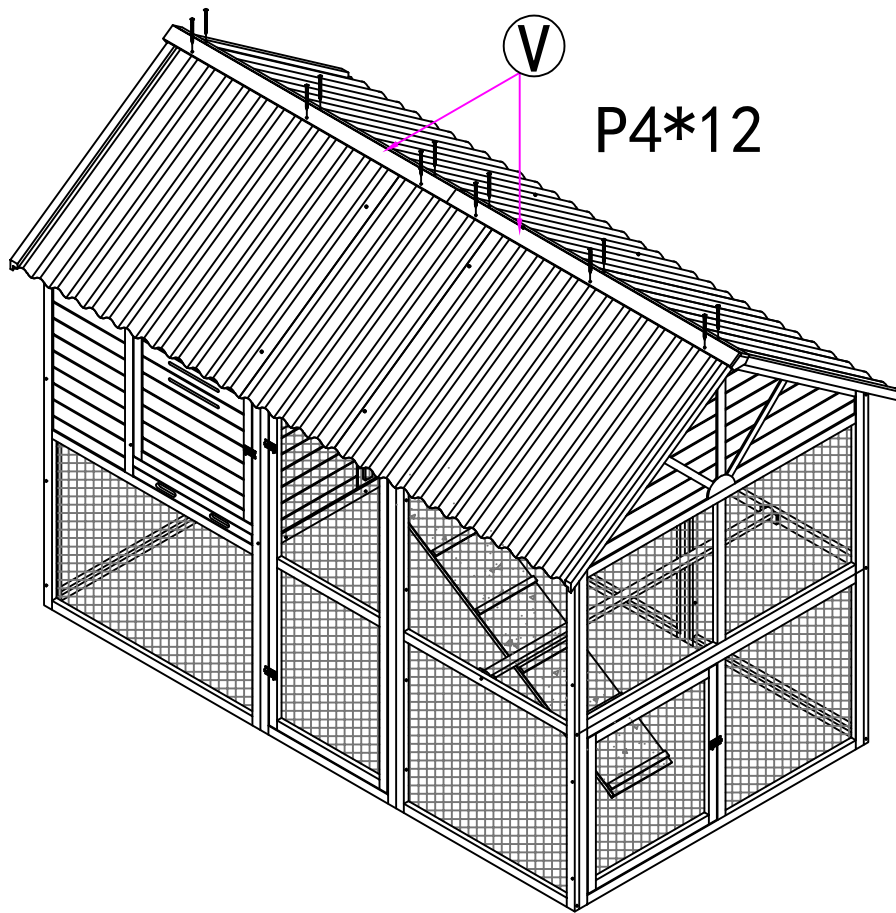
STEP18



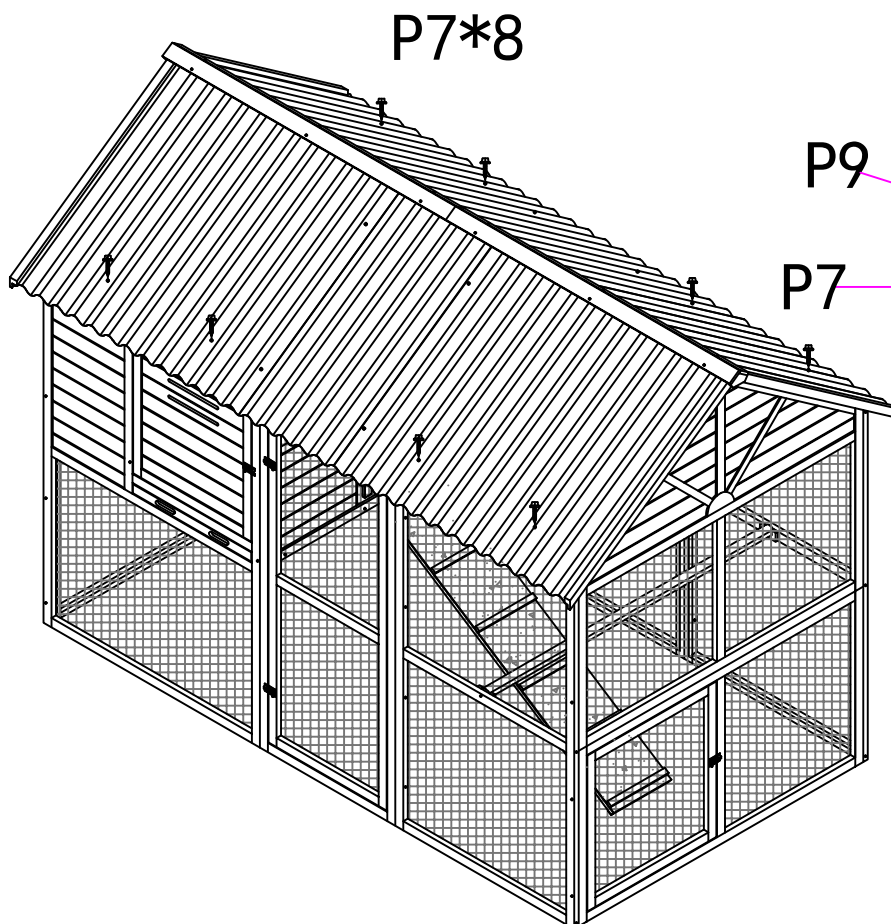
STEP19



STEP20



STEP21



FINISH