

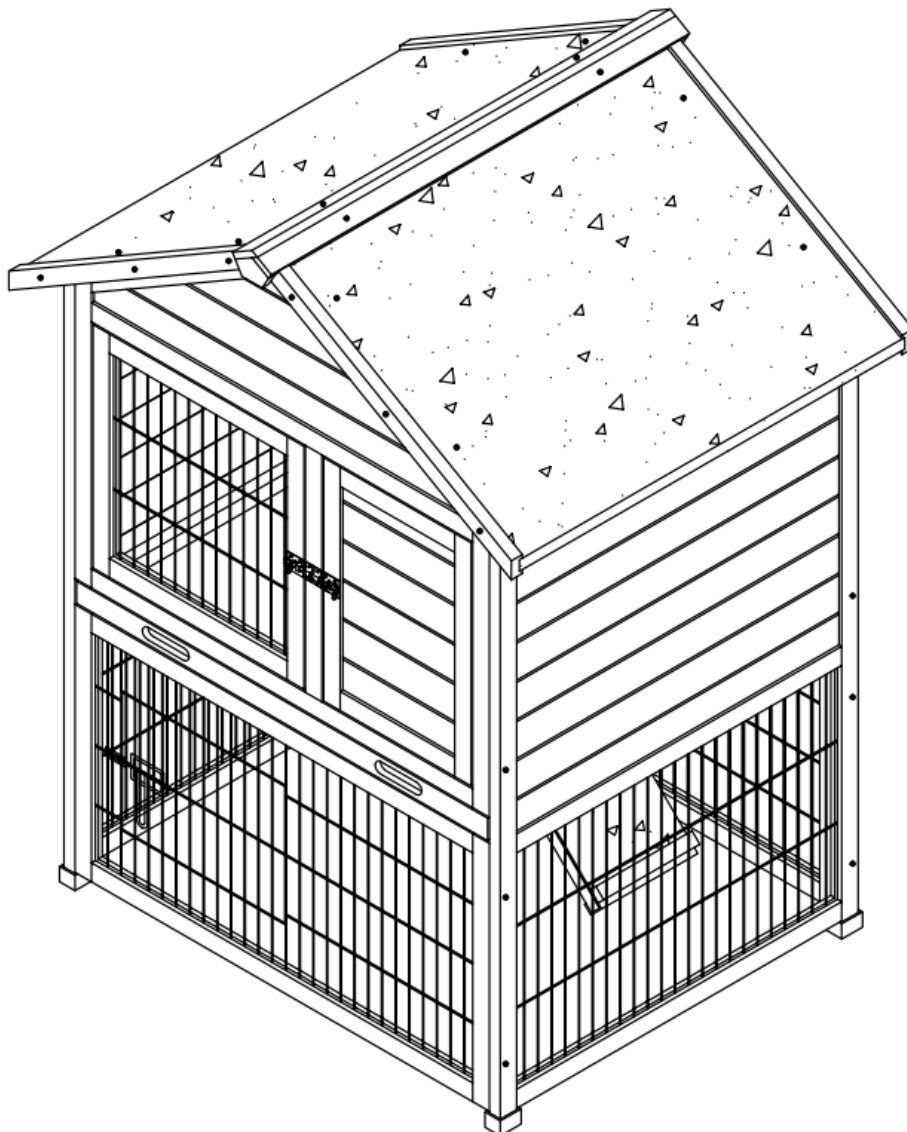





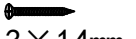
Model: KRR7-36

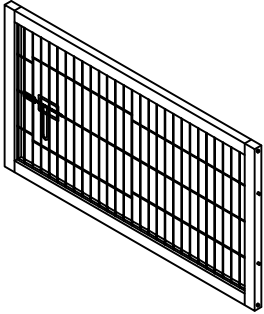
Elevated Rabbit Hutch

Conejera Elevada Clapier surélevé

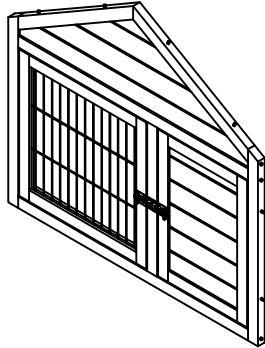
ASSEMBLY INSTRUCTION
INSTRUCCIONES DE MONTAJE
INSTRUCTIONS DE MONTAGE



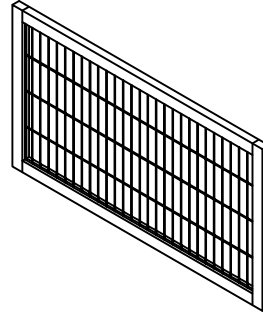
P1	 3.5×40mm	16pcs+1 spare	P2	 3.5×35mm	8pcs+1 spare
P3	 3.5×25mm	4pcs+1 spare	P4	 3×14mm	4pcs+1 spare



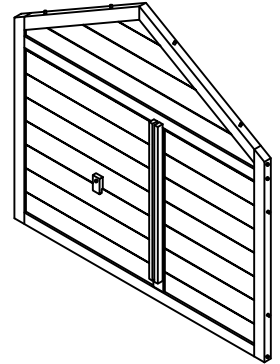
Ⓐ *1



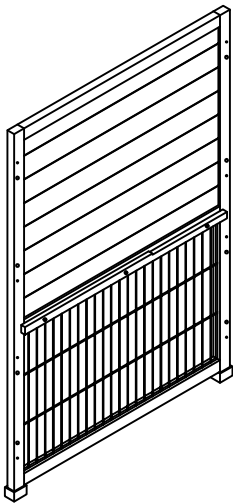
Ⓑ *1



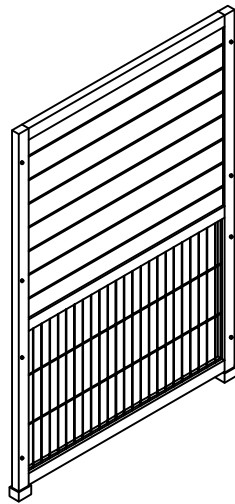
Ⓒ *1



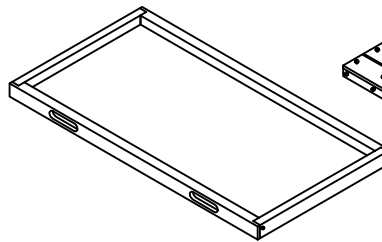
Ⓓ *1



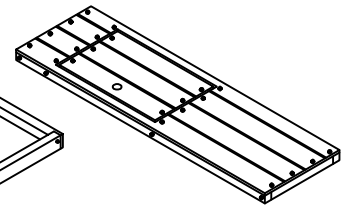
Ⓔ *1



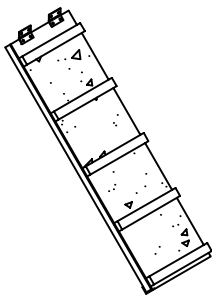
Ⓕ *1



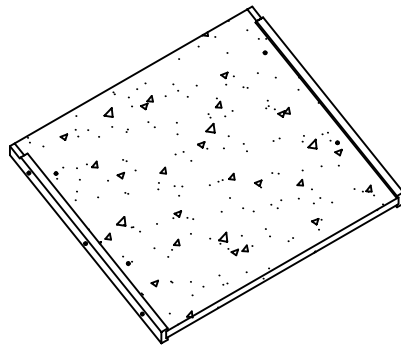
Ⓖ *1



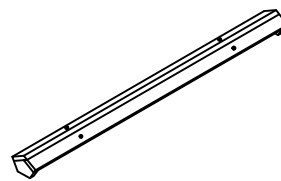
Ⓖ *1



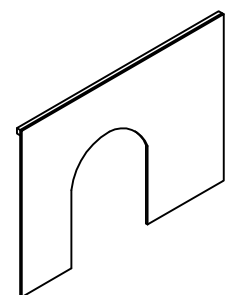
Ⓖ *1



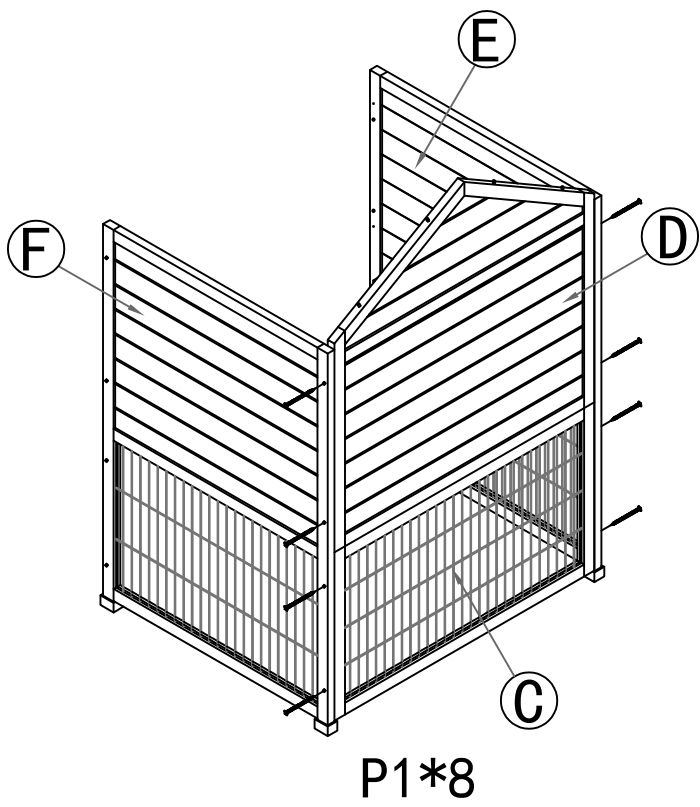
Ⓖ *2



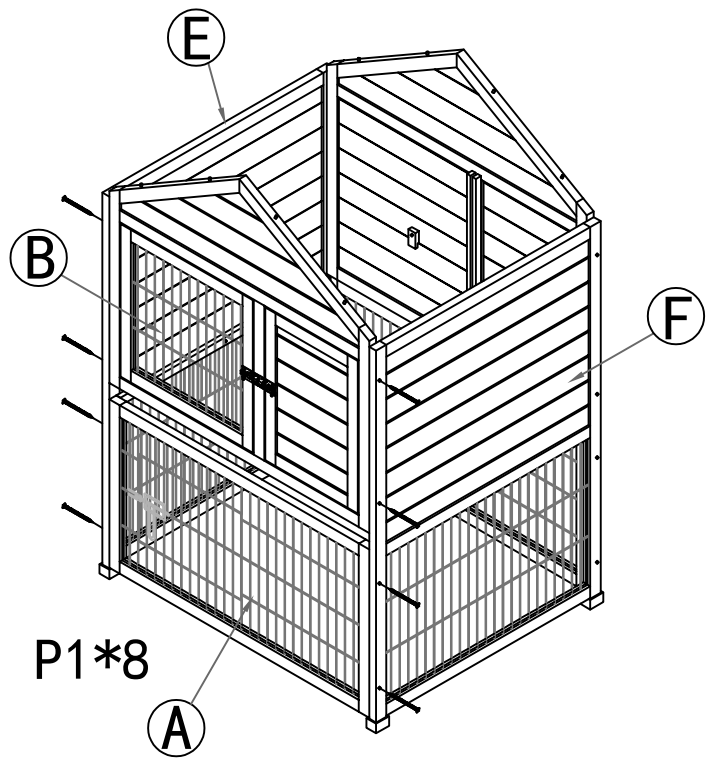
Ⓖ *1



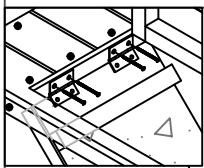
Ⓖ *1



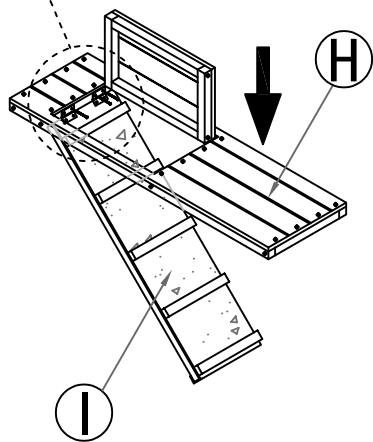
STEP1



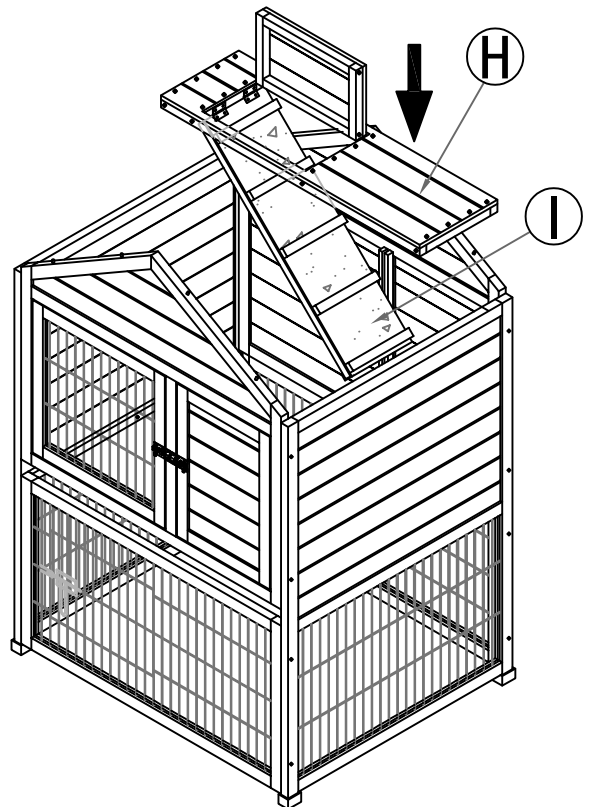
STEP2



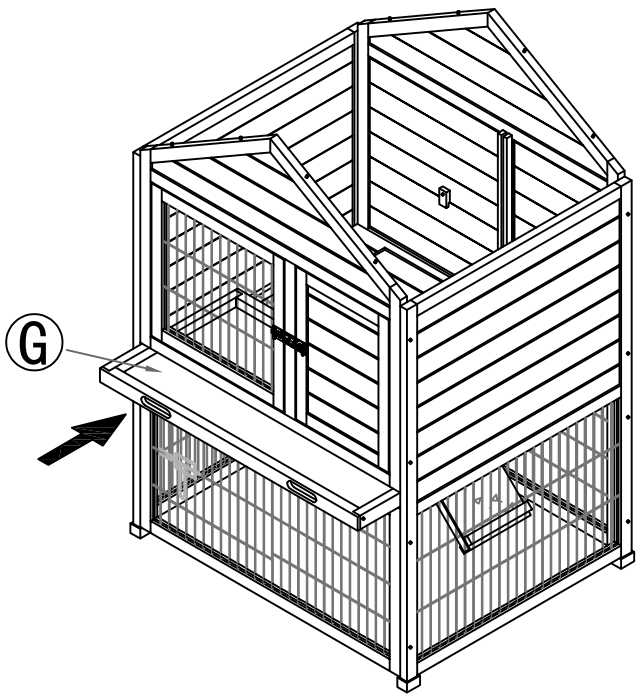
P4*4



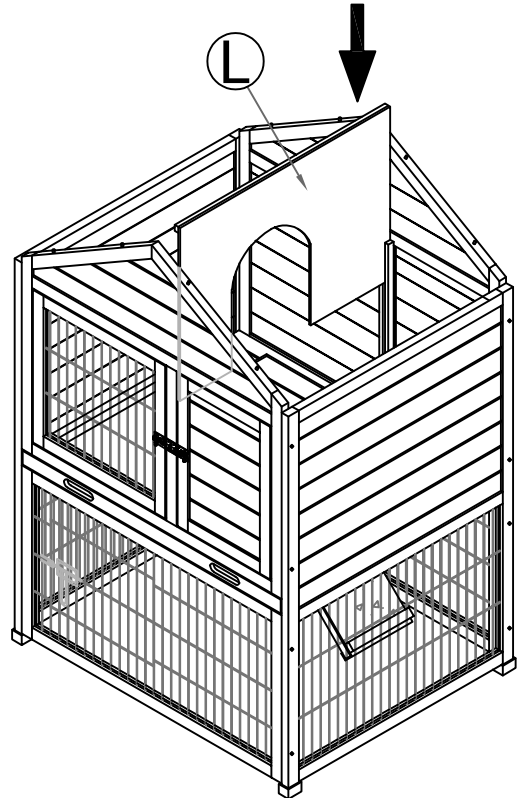
STEP3



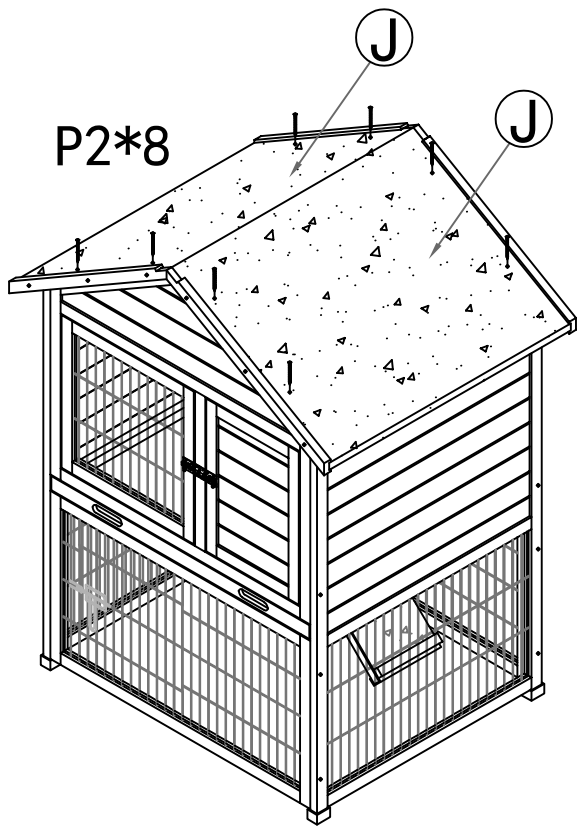
STEP4



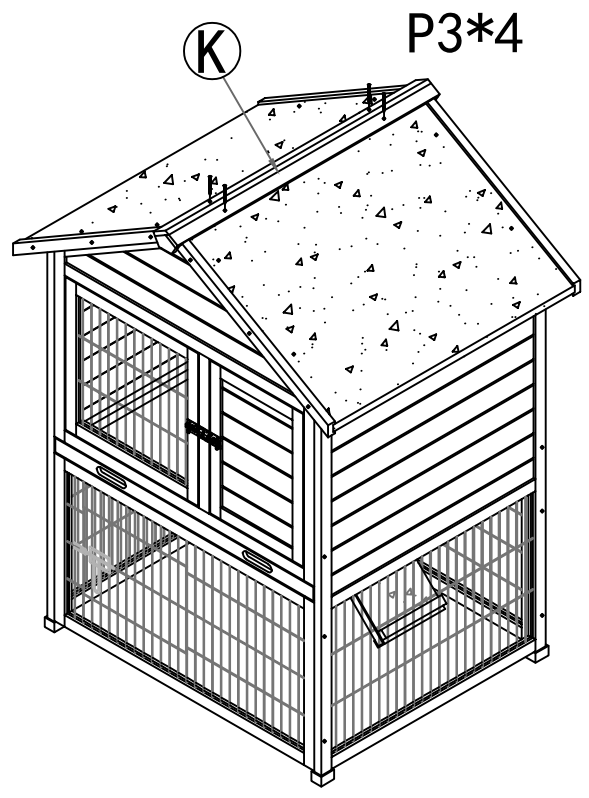
STEP5



STEP6



STEP7



FINISH